

Great Northern Docks

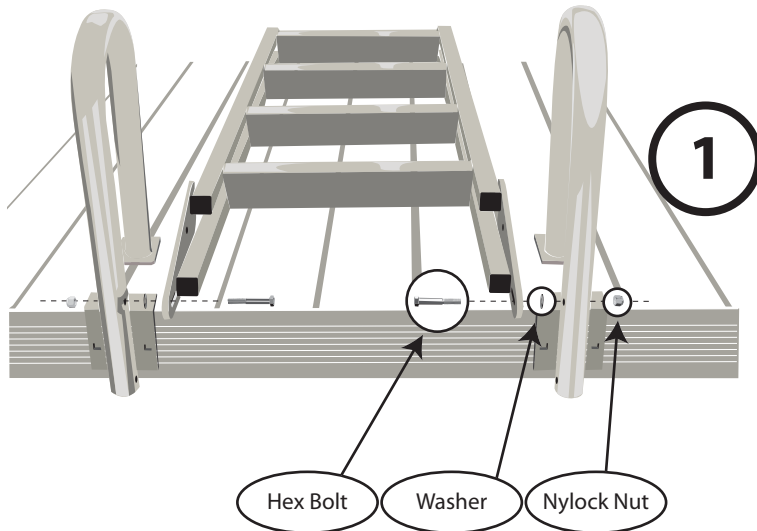
Assembly Instructions

for

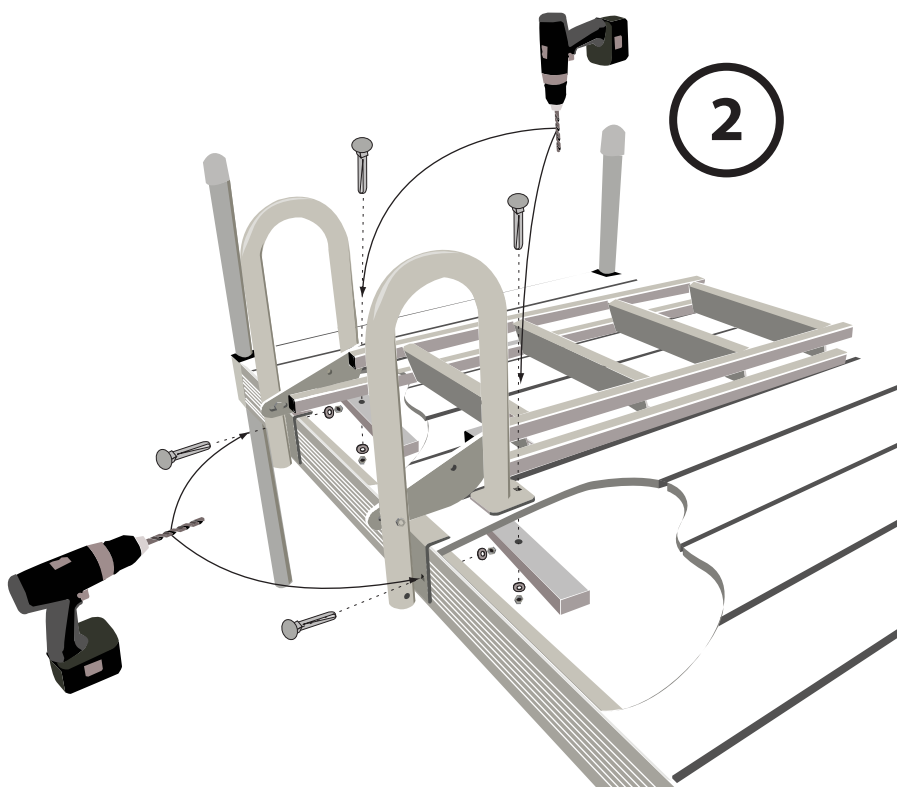
20° Aluminum Ladder #9079F

Vertical Aluminum Ladder #9078

Vertical 5 Step Ladder #9078-5



Connect the ladder hoops to the oblong holes with the ladder between each ladder hoop. Use two hex bolts and two nylock nuts from the ladder bolt kit bag. Threaded ends of all bolts should point to the outside of the ladder to avoid the path of swimmers. Place a stainless washer on the bolts between the ladder and the hoop to allow the ladder to swing up and down without grinding. Use two 9/16" wrenches to tighten nuts and bolts.



Lay the assembled ladder on the dock in the flipped up position so you do not have to hold it while trying to attach it.

Having it assembled will space the hoops the right distance apart from each other while you drill holes in the dock for the attachment bolts.

Each Ladder hoop will receive two bolts, one will pass through the decking and the other will go on the outside of the hoop through the dock frame. there is no need to drill and bolt the inside holes on the ladder hoop brackets, doing so will prevent the ladder from swinging down all the way.

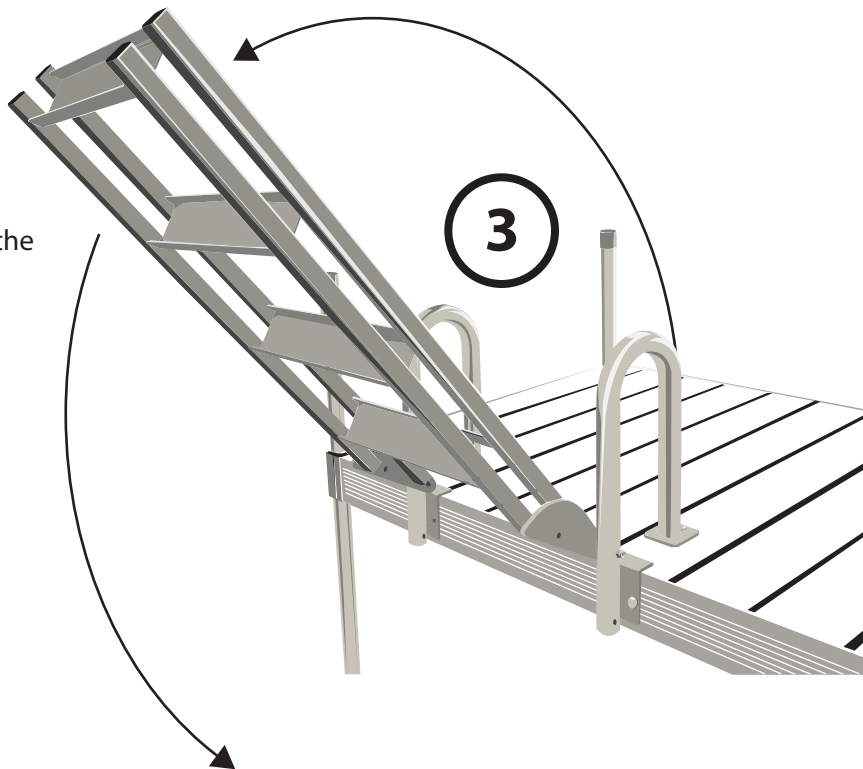
After a hole has been drilled, insert a carriage bolt to keep the ladder from moving while you drill the next hole.

When attaching this ladder to a dock with removable deck panels, make sure your decking is fastened in place well enough to support the ladder and a swimmer.

Use a backer board under the front of the hoop to span beneath more than one deckboard as reinforcement.

Use a washer and a nut from the ladder bolt kit bag on each attachment bolt.

Your ladder is easy to flip up or down by pulling it to the end of the ladders' oblong holes at the pivot point.



When the ladder is in the down position, place two hex bolts with nuts in the remaining holes to keep the ladder from swinging and pinching during use.

